

BXUVC.W315 Fire Resistance Ratings

[Page Bottom](#)

Fire Resistance Ratings

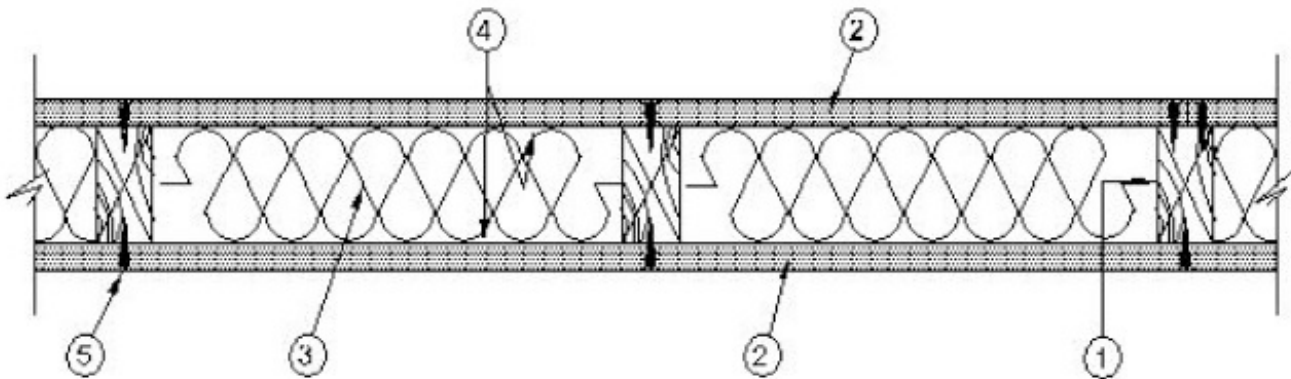
[See General Information for Fire Resistance Ratings](#)

Design No. W315

November 06, 2006

Assembly Rating — 45 min

Finish Rating — 18 min



Combustible Construction

Bearing Wall

1. **Wood Studs** — Nominal 38 mm by 89 mm, spaced 406 mm OC, effectively braced at mid-height and firestopped at top and bottom.

2. **Gypsum Wallboard** — CKNXC (Guide No. 40 U18.23) — 15.9 mm thick, 1220 mm wide, applied vertically, screw attached to studs with 38 mm long Type S steel screws, spaced 178 mm OC. One face installed prior to application of foamed plastic (Item 3).

CGC INC — Sheetrock Firecode

3. **Foamed Plastic** — Spray applied, foamed plastic insulation, to completely filling stud cavity.

HOME INSULATION CORP — Home Foam or Insulthane 100

4. **Vapor Barrier** — Commercial polyethylene vapour barrier, 0.15 mm (max) thickness.

5. **Joints and Screwheads** — Panel joints covered with paper tape and two layers of joint compound. Screwheads covered with two layers of joint compound.

Bearing the UL Classification Mark

[Last Updated](#) on 2006-11-06

The appearance of a company's name or product in this database does not in itself assure that products so identified have been manufactured under ULC's Follow-Up Service. Only those products bearing the ULC Mark should be considered to be Listed and covered under ULC's Follow-Up Service. Always look for the Mark on the product.

ULC permits the reproduction of the material contained in the Online Certifications Directory subject to the following conditions: 1. The Guide Information, Designs and/or Listings (files) must be presented in their entirety and in a non-misleading manner, without any manipulation of the data (or drawings). 2. The statement "Reprinted from the Online Certifications Directory with permission from Underwriters Laboratories of Canada" must appear adjacent to the extracted material. In addition, the reprinted material must include a copyright notice in the following format: "Copyright © 2009 Underwriters Laboratories of Canada®"

An independent organization working for a safer world with integrity, precision and knowledge.

